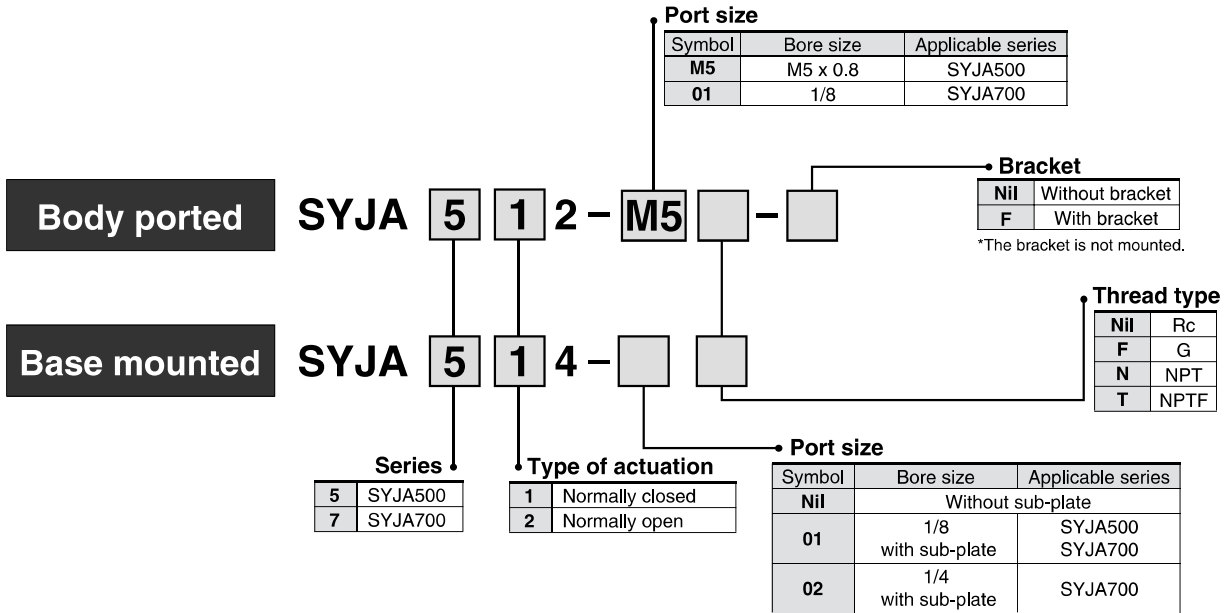


3 Port Air Operated Valve

Series SYJA500/700

How to Order



How to Order Manifold Base

Same manifolds as series SYJ500/700 are prepared.

(For SYJA500) **SS3YJA5** - [] Fill the same as SS3YJ5.

(For SYJA700) **SS3YJA7** - [] Fill the same as SS3YJ7.

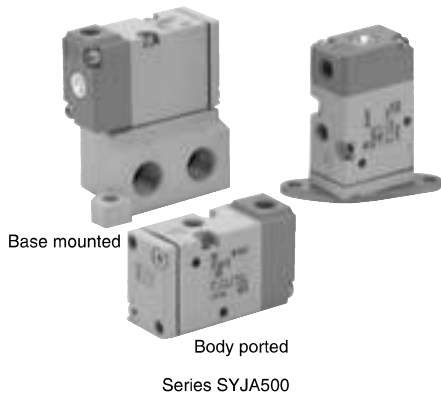
* Instruct by specifying the valves and blanking plate assembly to be mounted on the manifold along with the manifold base model no.

(Ex.) **SS3YJA5-40-03-01** 1 set (Ex.) **SS3YJA7-41-03-01** 1 set
 * SYJA514 2 sets * SYJA714 2 sets
 * SYJ500-10-3A 1 set * SYJ700-10-2A 1 set

↳ The asterisk denotes the symbol for assembly. Prefix it to the part nos. of the solenoid valve, etc.

- SYA
- SYJA**
- VZA
- VFA
- VFRA
- V□A

Series SYJA500/700



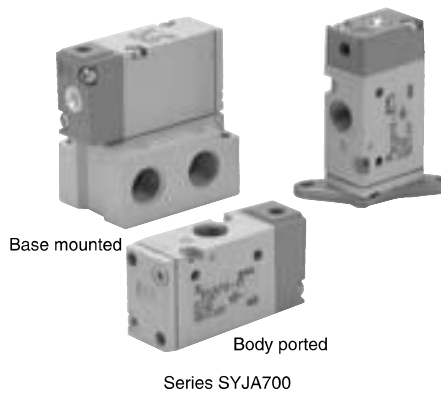
Specifications

Fluid	Air
Operating pressure range MPa	0.15 to 0.7
Pilot pressure range MPa ^{Note 1)}	(0.4 x P + 0.1) to 0.7 P: Operating pressure range
Ambient and fluid temperature (°C)	-10 to 60 (No freezing.)
Lubrication	Not required
Mounting orientation	Unrestricted
Impact/Vibration resistance (m/s ²) ^{Note 2)}	300/50

Note 1) Be certain that pressure within operating pressure range be supplied to supply port, because return pressure is introduced from supply port {1(P)} for activation.

Note 2) Impact resistance: No malfunction resulted from the impact test using a drop impact tester. The test was performed on the axis and right angle directions of the main valve, when pilot signal is ON and OFF. (Value in the initial state)

Vibration resistance: No malfunction occurred in one sweep test between 45 and 2000 Hz. Test was performed to axis and right angle directions of the main valve when pilot signal is ON and OFF. (Value in the initial state)



With Bracket

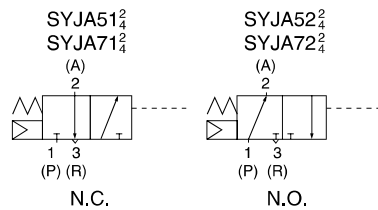
Air operated valve type	SYJA5 $\frac{1}{2}$ -M5-F, SYJA7 $\frac{1}{2}$ -O1-F
-------------------------	--

Note) The bracket is not mounted.

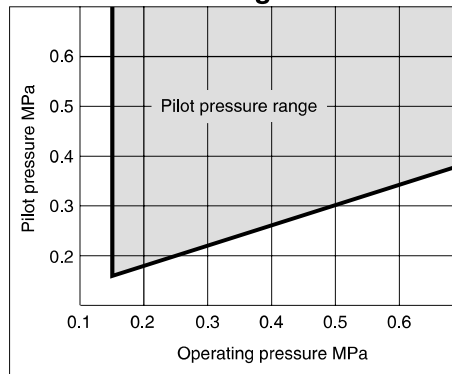
Bracket assembly part no.	Applicable series
SYJ5000-13-3A	SYJA500
SYJ700-19-1A	SYJA700

*Mounting screws included.

JIS Symbol



Pilot Pressure Range



Caution

Be sure to read before handling. Refer to front matters 58 and 59 for Safety Instructions and pages 3 to 7 for 3/4/5 Port Solenoid Valve Precautions.

Flow Characteristics/Mass

Valve model	Type of actuation	Port size	Flow characteristics						Pilot port size	Mass (g)
			1→2 (P→A)			2→3 (A→R)				
			C [dm ³ /(s bar)]	b	Cv	C [dm ³ /(s bar)]	b	Cv		
Body ported	SYJA512-M5	N.C.	M5 x 0.8	0.53	0.45	0.14	0.47	0.39	0.12	45
	SYJA522-M5	N.O.		0.66	0.45	0.18	0.66	0.45	0.18	
Base mounted (with sub-plate)	SYJA514-01	N.C.	Rc 1/8	1.2	0.41	0.32	1.1	0.46	0.32	M5 x 0.8 75 (Without sub-plate 45)
	SYJA524-01	N.O.		1.3	0.37	0.33	1.2	0.48	0.34	
Body ported	SYJA712-01	N.C.	Rc 1/8	2.8	0.43	0.77	2.5	0.51	0.76	80
	SYJA722-01	N.O.		2.7	0.38	0.72	2.4	0.42	0.69	
Base mounted (with sub-plate)	SYJA714-01	N.C.	Rc 1/8	2.9	0.32	0.71	2.7	0.34	0.69	M5 x 0.8 130 (Without sub-plate 80)
	SYJA714-02		Rc 1/4	3.0	0.31	0.74	2.6	0.33	0.66	
	SYJA724-01	N.O.	Rc 1/8	2.8	0.21	0.70	2.3	0.45	0.63	
	SYJA724-02		Rc 1/4	2.7	0.31	0.68	2.3	0.48	0.64	

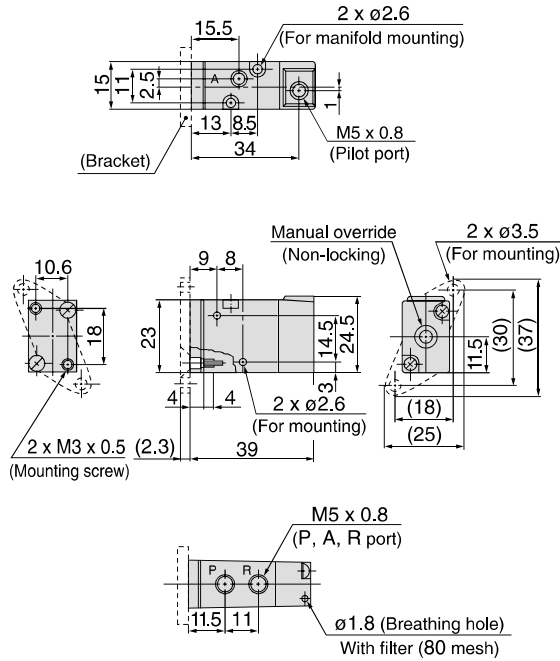
Note) Model No. for base mounted style without sub-plate is SYJA5 $\frac{1}{2}$ 4, SYJA7 $\frac{1}{2}$ 4.

3 Port Air Operated Valve *Series SYJA500/700*

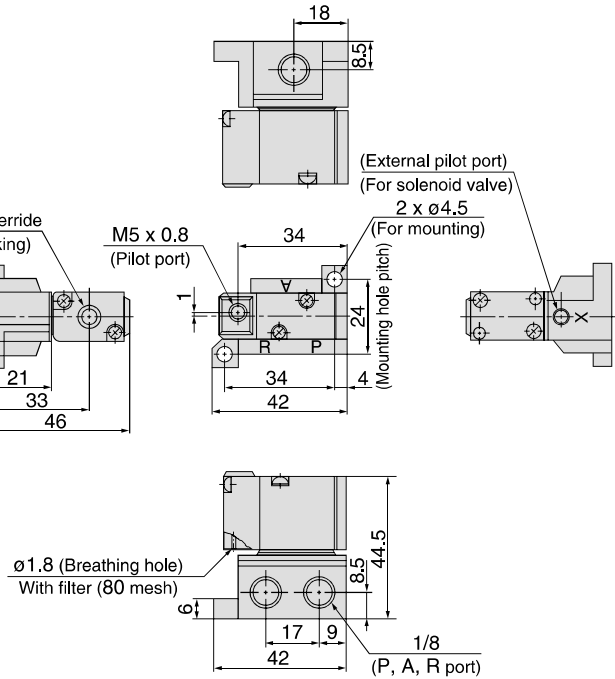
Dimensions

Series SYJA500

Body ported: SYJA5□2-M5(-F)

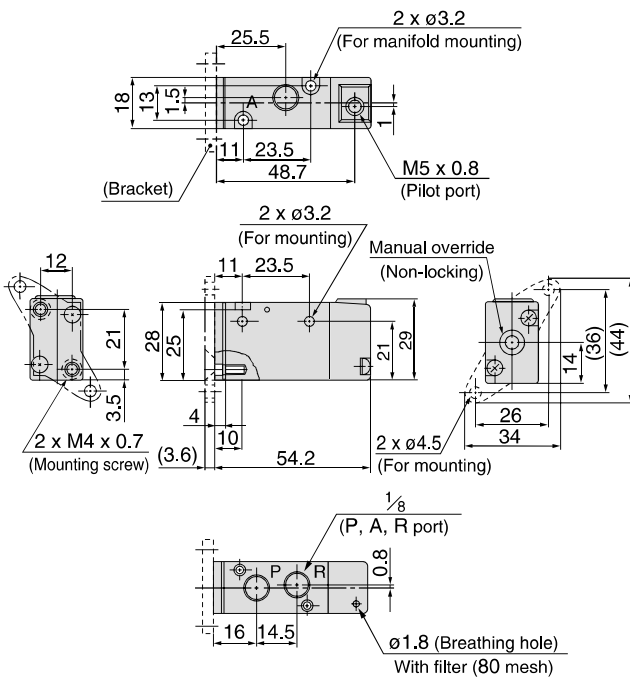


Base mounted: SYJA5□4-01□

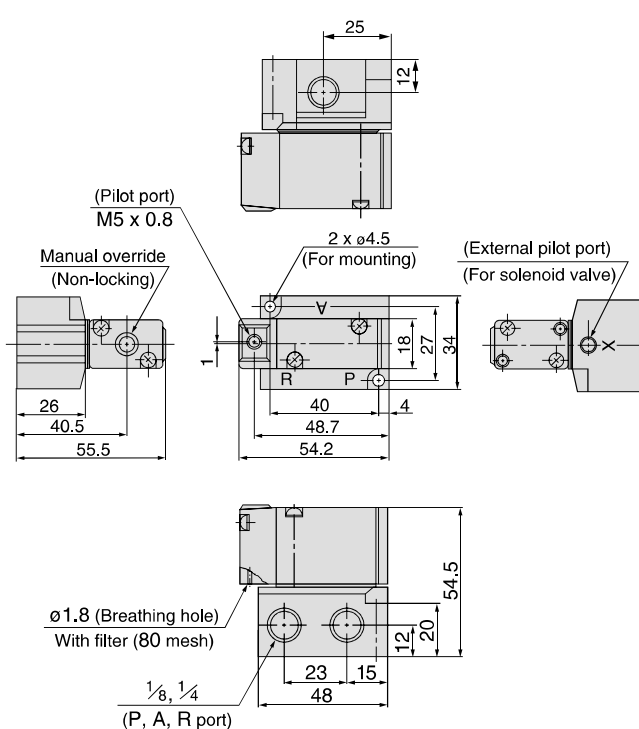


Series SYJA700

Body ported: SYJA7□2-01□ (-F)



Base mounted: SYJA7□4-01□



- SYA
- SYJA**
- VZA
- VFA
- VFRA
- V□A